



## Power Cable

### LinkIT Power Cable CEE 7/7 to C5 Black 2 m Angled

LSZH 3 x 1,00 mm<sup>2</sup>

Product number: NYESCC5-2M-HF

## Product Description

"Mickey Mouse" cable with angled Schuko - C5. PVC 3 x 0,75 mm<sup>2</sup>. CEE 7/7 right angle.  
 Certifications: RoHs, CE, VDE

## Main Specifications

<b>Brand</b>	LinkIT
<b>Color</b>	Black
<b>Length (m)</b>	2
<b>Connector type 1</b>	CEE 7/7
<b>Connector type 2</b>	C5 (F)
<b>Conductor material</b>	3 Wire
<b>Number of conductors</b>	3

## Extended Specifications

<b>NVP value</b>	69%
<b>Jacket material</b>	LSZH
<b>Angle contact 1</b>	Angeled
<b>Angle Contact 2</b>	Straight
<b>Voltage</b>	AC 110-250V
<b>Amperage</b>	2.5A
<b>Conductor colour code</b>	Brown, Blue, Green, Yellow
<b>Gauge</b>	3X1.0MM2
<b>Operating Temperature</b>	-20 - 70 °C



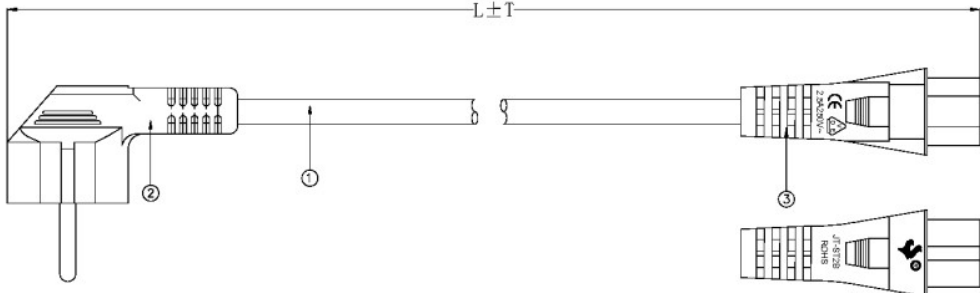
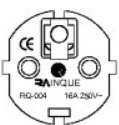

<b>Halogenfree</b>	✓
<b>With Earthing</b>	✓
<b>EAN</b>	7072662023225
<b>Certifications</b>	CE, REACH, VDE, RoHS

## **Single** packaging

<b>Unit</b>	PCE
<b>Quantity</b>	1
<b>Height (cm)</b>	18
<b>Width (cm)</b>	18
<b>Depth (cm)</b>	3
<b>Weight (kg)</b>	0,29
<b>Gross Weight (kg)</b>	0,31



## Dimensional Sketches

Rev/No	Revision note	Date	Signature	Checked																																								
																																												
																																												
<table border="1" style="margin: auto;"> <thead> <tr> <th>P/N</th> <th>L/(mm)</th> <th>T/(mm)</th> </tr> </thead> <tbody> <tr> <td>113953 NYESCC5-1M-HF</td> <td>1000</td> <td>30</td> </tr> <tr> <td>113954 NYESCC5-2M-HF</td> <td>2000</td> <td>50</td> </tr> <tr> <td>113955 NYESCC5-3M-HF</td> <td>3000</td> <td>50</td> </tr> </tbody> </table>					P/N	L/(mm)	T/(mm)	113953 NYESCC5-1M-HF	1000	30	113954 NYESCC5-2M-HF	2000	50	113955 NYESCC5-3M-HF	3000	50																												
P/N	L/(mm)	T/(mm)																																										
113953 NYESCC5-1M-HF	1000	30																																										
113954 NYESCC5-2M-HF	2000	50																																										
113955 NYESCC5-3M-HF	3000	50																																										
<p>NOTES:</p> <ol style="list-style-type: none"> <li>1. Open/Short/Intermittence:100%</li> <li>2. Rated voltage:250V</li> <li>3. Rated current:2.5A</li> <li>4. Max. Working Temperature:70°C</li> <li>5. IEC/TC20 Class:IP22</li> <li>6. RoHS &amp; REACH Compliant</li> </ol>																																												
<table border="1" style="width: 100%; border-collapse: collapse;"> <thead> <tr> <th>Item ref</th> <th>Quantity</th> <th colspan="3">Title/Name, designation, material, dimension etc</th> <th colspan="3">Article NO./Reference</th> </tr> </thead> <tbody> <tr> <td>① PLUG</td> <td>1</td> <td colspan="3">JT-ST2B: C5 PVC/BLACK</td> <td colspan="3">1 PCS</td> </tr> <tr> <td>② PLUG</td> <td>1</td> <td colspan="3">R0004:Angled Schuko PVC/BLACK</td> <td colspan="3">1 PCS</td> </tr> <tr> <td>③ CABLE</td> <td>L</td> <td colspan="3">H05Z1Z1-F 3*1.0mm<sup>2</sup> SOFT LSZH/BLACK JACKET OD:6.8±0.2mm MARKING: CE H05Z1Z1-F 3G1.0mm<sup>2</sup> Yuyao Rainque Electric Co., Ltd RAINGUIE M.2021.10.3.UY1425</td> <td colspan="3">L MM</td> </tr> <tr> <td>NO.</td> <td>MATERIAL</td> <td colspan="3">DESCRIPTION</td> <td>QTY.</td> <td colspan="2">UNIT</td> </tr> </tbody> </table>					Item ref	Quantity	Title/Name, designation, material, dimension etc			Article NO./Reference			① PLUG	1	JT-ST2B: C5 PVC/BLACK			1 PCS			② PLUG	1	R0004:Angled Schuko PVC/BLACK			1 PCS			③ CABLE	L	H05Z1Z1-F 3*1.0mm <sup>2</sup> SOFT LSZH/BLACK JACKET OD:6.8±0.2mm MARKING: CE H05Z1Z1-F 3G1.0mm <sup>2</sup> Yuyao Rainque Electric Co., Ltd RAINGUIE M.2021.10.3.UY1425			L MM			NO.	MATERIAL	DESCRIPTION			QTY.	UNIT	
Item ref	Quantity	Title/Name, designation, material, dimension etc			Article NO./Reference																																							
① PLUG	1	JT-ST2B: C5 PVC/BLACK			1 PCS																																							
② PLUG	1	R0004:Angled Schuko PVC/BLACK			1 PCS																																							
③ CABLE	L	H05Z1Z1-F 3*1.0mm <sup>2</sup> SOFT LSZH/BLACK JACKET OD:6.8±0.2mm MARKING: CE H05Z1Z1-F 3G1.0mm <sup>2</sup> Yuyao Rainque Electric Co., Ltd RAINGUIE M.2021.10.3.UY1425			L MM																																							
NO.	MATERIAL	DESCRIPTION			QTY.	UNIT																																						
<table border="1" style="width: 100%; border-collapse: collapse;"> <thead> <tr> <th>Designed by</th> <th>Checked by</th> <th>Approved by - date</th> <th>File name</th> <th>Date</th> <th>Scale</th> </tr> </thead> <tbody> <tr> <td>FLY</td> <td>HELEN</td> <td>2023.02.23</td> <td></td> <td>2023.02.23</td> <td>FREE</td> </tr> </tbody> </table>					Designed by	Checked by	Approved by - date	File name	Date	Scale	FLY	HELEN	2023.02.23		2023.02.23	FREE																												
Designed by	Checked by	Approved by - date	File name	Date	Scale																																							
FLY	HELEN	2023.02.23		2023.02.23	FREE																																							
																																												
Edition 1 Sheet 1/1																																												

