

Power Cable

LinkIT Power CEE 7/7 to C5 Black LSZH 1 m Angled

LSZH 3 x 1,0 mm²

Product number: NYESCC5-1M-HF

Product Description

"Mickey Mouse" cable with angled Schuko - C5. PVC 3 x 0,75 mm². CEE 7/7 right angle.
 Certifications: RoHs, CE, VDE

Main Specifications

Brand	LinkIT
Color	Black
Length (m)	1
Connector type 1	CEE 7/7
Connector type 2	C5 (F)
Conductor material	3 Wire
Number of conductors	3

Extended Specifications

NVP value	69%
Jacket material	LSZH
Angle contact 1	Angeled
Angle Contact 2	Straight
Voltage	AC 110-250V
Amperage	2.5A
Conductor colour code	Brown, Blue, Green, Yellow
Gauge	3X1.0MM2
Operating Temperature	-20 - 70 °C



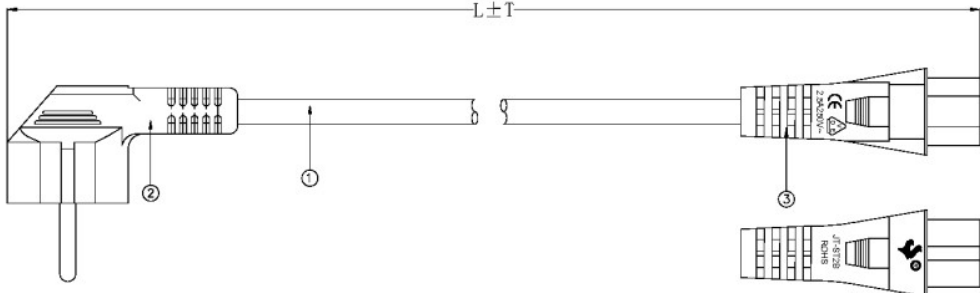
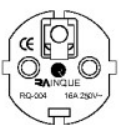
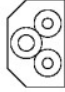
Halogenfree	✓
With Earthing	✓
EAN	7072662023218
Certifications	CE, REACH, VDE, RoHS

 **Single** packaging

Unit	PCE
Quantity	1
Height (cm)	18
Width (cm)	18
Depth (cm)	4
Weight (kg)	0,3
Gross Weight (kg)	0,31



Dimensional Sketches

Rev/No	Revision note	Date	Signature	Checked																																																
																																																				
																																																				
<table border="1" style="margin: auto;"> <thead> <tr> <th>P/N</th> <th>L/(mm)</th> <th>T/(mm)</th> </tr> </thead> <tbody> <tr> <td>113953 NYESCC5-1M-HF</td> <td>1000</td> <td>30</td> </tr> <tr> <td>113954 NYESCC5-2M-HF</td> <td>2000</td> <td>50</td> </tr> <tr> <td>113955 NYESCC5-3M-HF</td> <td>3000</td> <td>50</td> </tr> </tbody> </table>					P/N	L/(mm)	T/(mm)	113953 NYESCC5-1M-HF	1000	30	113954 NYESCC5-2M-HF	2000	50	113955 NYESCC5-3M-HF	3000	50																																				
P/N	L/(mm)	T/(mm)																																																		
113953 NYESCC5-1M-HF	1000	30																																																		
113954 NYESCC5-2M-HF	2000	50																																																		
113955 NYESCC5-3M-HF	3000	50																																																		
																																																				
<p>NOTES:</p> <ol style="list-style-type: none"> 1. Open/Short/Interruption:100% 2. Rated voltage:250V 3. Rated current:2.5A 4. Max. Working Temperature:70°C 5. IEC/TC20 Class:IP22 6. RoHS & REACH Compliant 																																																				
<table border="1" style="width: 100%; border-collapse: collapse;"> <thead> <tr> <th>NO.</th> <th>MATERIAL</th> <th>DESCRIPTION</th> <th>QTY.</th> <th>UNIT</th> </tr> </thead> <tbody> <tr> <td>①</td> <td>PLUG</td> <td>JT-ST2B: C5 PVC/BLACK</td> <td>1</td> <td>PCS</td> </tr> <tr> <td>②</td> <td>PLUG</td> <td>RQ004:Angled Schuko PVC/BLACK</td> <td>1</td> <td>PCS</td> </tr> <tr> <td>③</td> <td>CABLE</td> <td>H05Z1Z1-F 3*1.0mm² SOFT LSZH/BLACK JACKET OD:6.8±0.2mm MARKING: CE H05Z1Z1-F 3G1.0mm² Yuyao Rainque Electric Co., Ltd. RAINQUE M.2021.10.3.UY1425</td> <td>L</td> <td>M</td> </tr> </tbody> </table>					NO.	MATERIAL	DESCRIPTION	QTY.	UNIT	①	PLUG	JT-ST2B: C5 PVC/BLACK	1	PCS	②	PLUG	RQ004:Angled Schuko PVC/BLACK	1	PCS	③	CABLE	H05Z1Z1-F 3*1.0mm ² SOFT LSZH/BLACK JACKET OD:6.8±0.2mm MARKING: CE H05Z1Z1-F 3G1.0mm ² Yuyao Rainque Electric Co., Ltd. RAINQUE M.2021.10.3.UY1425	L	M																												
NO.	MATERIAL	DESCRIPTION	QTY.	UNIT																																																
①	PLUG	JT-ST2B: C5 PVC/BLACK	1	PCS																																																
②	PLUG	RQ004:Angled Schuko PVC/BLACK	1	PCS																																																
③	CABLE	H05Z1Z1-F 3*1.0mm ² SOFT LSZH/BLACK JACKET OD:6.8±0.2mm MARKING: CE H05Z1Z1-F 3G1.0mm ² Yuyao Rainque Electric Co., Ltd. RAINQUE M.2021.10.3.UY1425	L	M																																																
<table border="1" style="width: 100%; border-collapse: collapse;"> <thead> <tr> <th>Item/Ref</th> <th>Quantity</th> <th colspan="3">Title/Name, designation, material, dimension etc</th> <th colspan="3">Article NO./Reference</th> </tr> </thead> <tbody> <tr> <td>Designed by</td> <td>HELEN</td> <td>Checked by</td> <td>HELEN</td> <td>Approved by - date</td> <td>2023.02.23</td> <td>File name</td> <td></td> </tr> <tr> <td>ANGLE:</td> <td></td> <td colspan="3">Angled Schuko TO C5 3*1.0mm² LSZH</td> <td colspan="3"></td> </tr> <tr> <td>UNIT:MM</td> <td></td> <td colspan="3" style="text-align: center;"></td> <td colspan="3"></td> </tr> <tr> <td colspan="5"></td> <td>Edition</td> <td>Sheet</td> <td></td> </tr> <tr> <td colspan="5"></td> <td>1</td> <td>1/1</td> <td></td> </tr> </tbody> </table>					Item/Ref	Quantity	Title/Name, designation, material, dimension etc			Article NO./Reference			Designed by	HELEN	Checked by	HELEN	Approved by - date	2023.02.23	File name		ANGLE:		Angled Schuko TO C5 3*1.0mm ² LSZH						UNIT:MM													Edition	Sheet							1	1/1	
Item/Ref	Quantity	Title/Name, designation, material, dimension etc			Article NO./Reference																																															
Designed by	HELEN	Checked by	HELEN	Approved by - date	2023.02.23	File name																																														
ANGLE:		Angled Schuko TO C5 3*1.0mm ² LSZH																																																		
UNIT:MM																																																				
					Edition	Sheet																																														
					1	1/1																																														

