

Power Cable

LinkIT Power Cable CEE 7/7 to C5 Black 2m

Angled Schuko, PVC, 3 x 0,75 mm²

Product number: NYESCC5-2M

El-number: 6955996

Product Description

"Mickey Mouse" cable with angled Schuko - C5. PVC 3 x 0,75 mm². CEE 7/7 right angle.

Sertifications: RoHs, CE, VDE

Main Specifications

Brand	LinkIT
Color	Black
Length (m)	2
Connector type 1	CEE 7/7
Connector type 2	C5 (F)
Conductor material	3 Wire
Number of conductors	3

Extended Specifications

NVP value	69%
Jacket material	PVC
Angle contact 1	Angeled
Angle Contact 2	Straight
Voltage	AC 110-250V
Amperage	2.5A
Conductor colour code	Brown, Blue, Green, Yellow
Gauge	3X0.75MM2
Operating Temperature	-20 - 70 °C
Halogenfree	X
With Earthing	V



EAN	7090033564665
Certifications	CE, REACH, VDE, RoHS

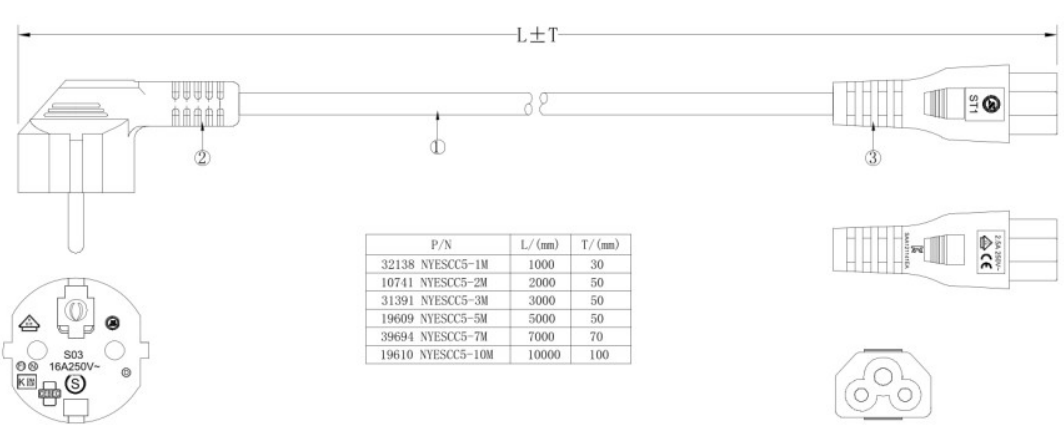
■ **Single** packaging

GTIN f-pak	7090033564665
Unit	PCE
Quantity	1
Height (cm)	25
Width (cm)	10
Depth (cm)	4
Weight (kg)	0,11
Gross Weight (kg)	0,12



Dimensional Sketches

RevNo.	Revision note	Date	Signature	Checked




P/N	L/ (mm)	T/ (mm)
32138 NYESCC5-1M	1000	30
10741 NYESCC5-2M	2000	50
31391 NYESCC5-3M	3000	50
19609 NYESCC5-5M	5000	50
39694 NYESCC5-7M	7000	70
19610 NYESCC5-10M	10000	100

NOTES:

1. Open/Short/Intermittence:100%
2. Rated voltage:250V
3. Rated current:2.5A
4. Max. Working Temperature:70°C
5. IEC/TC20 Class:IP22
6. RoHS & REACH Compliant

NO.	MATERIAL	DESCRIPTION	QTY.	UNIT
①	PLUG	ST1:C5 PVC/BLACK	1	PCS
②	PLUG	S03:Angled Schuko PVC/BLACK	1	PCS
③	CABLE	H05VV-F 3*0.75mm ² PVC/BLACK JACKET OD:6.5±0.2mm MARKING:<VDE> H05VV-F 3G0.75mm ² NINGBO OUSHENG	L	MM

Itemref	Quantity	Title/Name, designation, material, dimension etc			Article NO./Reference		
Designed by FLY	Checkde by HELEN	Approved by - date 2023.02.22	File name	Date 2023.02.22	Scale FREE		
ANGLE: 	MAINNING		Angled Schuko TO C5 3*0.75mm ²		Edition 1		
UNIT:MM					Sheet 1/1		

