

Power Cable

LinkIT Power Cable CEE 7/7 - C13 Black LSZH 1m

LSZH 3 x 1,5 mm²

Product number: NYESCC13-1M-HF
 EI-number: 6955968

Product Description

Halogenfree power cable with CEE 7/7 to C13 in black color. This cable is normally used as a power cable to monitor or PC. Halogenfri cable. CEE 7/7 right angle. Sertifications: RoHs, CE, VDE.

Main Specifications

Brand	LinkIT
Color	Black
Length (m)	1
Connector type 1	CEE 7/7
Connector type 2	C13 (F)
Conductor material	3 Wire
Number of conductors	3

Extended Specifications

NVP value	69%
Jacket material	LSZH
Angle contact 1	Angeled
Angle Contact 2	Straight
Voltage	AC 110-250V
Amperage	10A
Conductor colour code	Brown, Blue, Green, Yellow
Gauge	3X1.5MM2
Operating Temperature	-20 - 70 °C
Halogenfree	✓

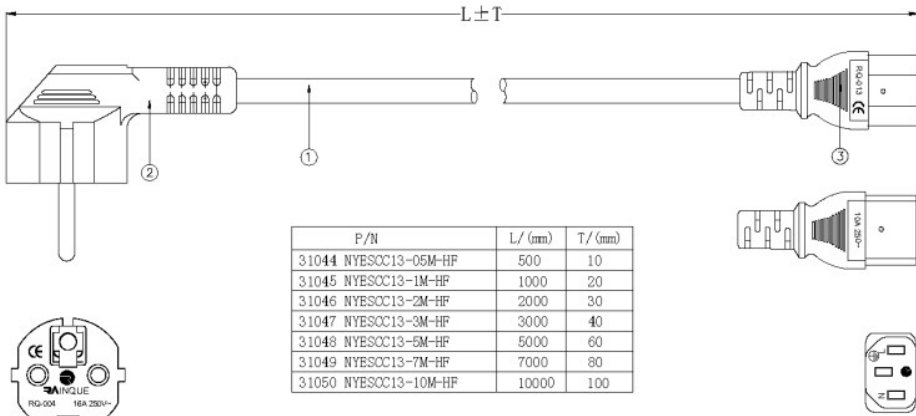





With Earthing	✓
Certifications	CE, RoHS, REACH

Single packaging

Unit	PCE
Quantity	1
Height (cm)	1,8
Width (cm)	1,8
Length(cm)	0,4
Weight (kg)	0,14
Gross Weight (kg)	0,00015
Volum (dm ³)	0,001

Dimensional Sketches

RevNo.	Revision note	Date	Signature	Checked																								
																												
<table border="1" style="width: 100%; border-collapse: collapse;"> <thead> <tr> <th>P/N</th> <th>L/ (mm)</th> <th>T/ (mm)</th> </tr> </thead> <tbody> <tr> <td>31044 NYESCC13-05M-HF</td> <td>500</td> <td>10</td> </tr> <tr> <td>31045 NYESCC13-1M-HF</td> <td>1000</td> <td>20</td> </tr> <tr> <td>31046 NYESCC13-2M-HF</td> <td>2000</td> <td>30</td> </tr> <tr> <td>31047 NYESCC13-3M-HF</td> <td>3000</td> <td>40</td> </tr> <tr> <td>31048 NYESCC13-5M-HF</td> <td>5000</td> <td>60</td> </tr> <tr> <td>31049 NYESCC13-7M-HF</td> <td>7000</td> <td>80</td> </tr> <tr> <td>31050 NYESCC13-10M-HF</td> <td>10000</td> <td>100</td> </tr> </tbody> </table>		P/N	L/ (mm)	T/ (mm)	31044 NYESCC13-05M-HF	500	10	31045 NYESCC13-1M-HF	1000	20	31046 NYESCC13-2M-HF	2000	30	31047 NYESCC13-3M-HF	3000	40	31048 NYESCC13-5M-HF	5000	60	31049 NYESCC13-7M-HF	7000	80	31050 NYESCC13-10M-HF	10000	100			
P/N	L/ (mm)	T/ (mm)																										
31044 NYESCC13-05M-HF	500	10																										
31045 NYESCC13-1M-HF	1000	20																										
31046 NYESCC13-2M-HF	2000	30																										
31047 NYESCC13-3M-HF	3000	40																										
31048 NYESCC13-5M-HF	5000	60																										
31049 NYESCC13-7M-HF	7000	80																										
31050 NYESCC13-10M-HF	10000	100																										
<p>NOTES:</p> <ol style="list-style-type: none"> 1. Open/Short/Intermittence:100% 2. Rated voltage:250V 3. Rated current:10A 4. Max. Working Temperature:70°C 5. IEC/TC20 Class:IP22 6. RoHS & REACH Compliant 																												
③	PLUG	RQ013:C13 PVC/BLACK	1	PCS	Itemref Quantity Title/Name, designation, material, dimension etc Article NO./Reference																							
②	PLUG	RQ004:Angled Schuko PVC/BLACK	1	PCS	Designed by FLY	Checked by HELEN	Approved by - date 2023.02.23	File name	Date 2023.02.23	Scale FREE																		
①	CABLE	H05Z1Z1-F 3*1.5mm ² SOFT LSZH/BLACK JACKET OD:7.8±0.2mm MARKING: CE H05Z1Z1-F 3G1.5mm ² Yuyao Rainque Electric Co., Ltd RAINQUE M. 2021.10.3. UY1425	L	M	ANGLE: 		Angled Schuko TO C13 3*1.5mm ² LSZH																					
NO.	MATERIAL	DESCRIPTION	QTY.	UNIT	UNIT:MM			Edition 1 Sheet 1/1																				

